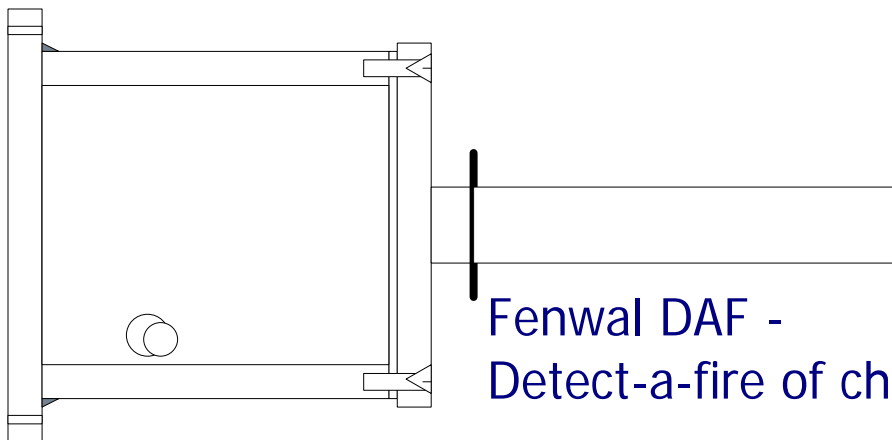
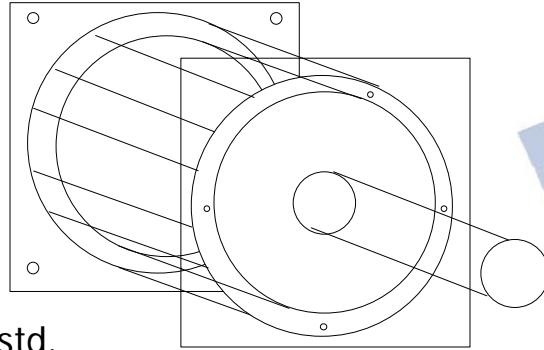


HDL-1

Heat Detector LICO

- welded , massive Alu-construction
- ready for ATEX-cert Ex-cert
- CE-approved
- 1 or 2 pcs cable outlets std.
- watersafe - IP 65 - IP 67 dep. on cable isolation
- seawatersafe aluminum,
- WIG-welded
- stainless steel screws - A4
- 4x cable- terminal in Box
- temperatur range up to 265°C if cabelling allowing



Fenwal DAF - Detect-a-fire of choice

- Partnumber of housing without Fenwal: HDH
- Partnumber of housing with Fenwal: HDL-1-Fenwal-type



LICO



MECHATRONIK

ELEKTRONIK UND
ELEKTROMASCHINENBAU
MEISTERBETRIEB



LICO Electronics GmbH
Klederinger Str. 31
A-2320 Kledering
Tel +43 1 706 43 000
Fax + 43 1 706 41 31
email: h.miksch@lico.at

LICO Hungaria Kft
Raba u. 4
H-2030 Erd
Hungary - Europe
Tel + 36 23 520 113
Fax + 36 23 520 115
Email office@lico.hu